

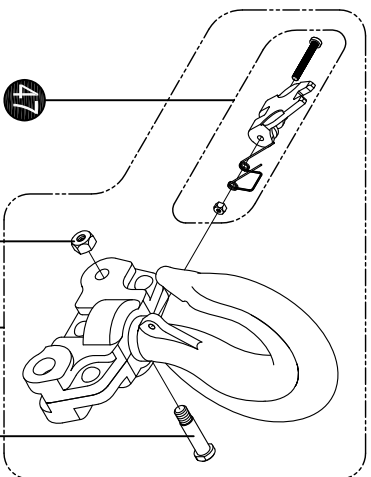


Work made easy.

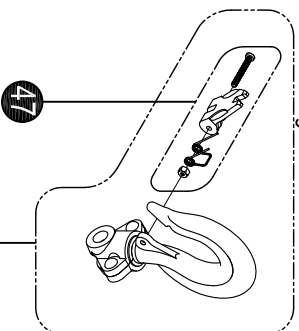
HOISTING & LIFTING

| Prod.Id. | Description | Pos |
|----------|--|-----|
| 4362401 | S200-200-1 Gear cover assy | 1 |
| 4362402 | S200-200-2 Disc gear assy | 2 |
| 4362403 | S200-200-3 Drive shaft | 3 |
| 4362404 | S200-200-4 Splined gear | 4 |
| 4362405 | S200-200-5 Right side plate assy | 5 |
| 4362406 | S200-200-6 Load chain sprocket | 6 |
| 4362409 | S200-200-9 Top hook shaft | 9 |
| 4362411 | S200-200-11 Chain stripper | 11 |
| 4362413 | S200-200-13 Guide roller | 13 |
| 4362414 | S200-200-14 Left sideplate assy | 14 |
| 4362415 | S200-200-15 Pawl spring | 15 |
| 4362416 | S200-200-16 Pawl | 16 |
| 4362417 | S200-200-17 Brake seat | 17 |
| 4362419 | S200-200-19 Friction plate | 19 |
| 4362420 | S200-200-20 Ratchet wheel | 20 |
| 4362421 | S200-200-21 Brake cover | 21 |
| 4362422 | S200-200-22 Hand chain wheel | 22 |
| 4362425 | S200-200-25 washer | 25 |
| 4362426 | S200-200-26 Hand chain cover | 26 |
| 4362427 | S200-200-27 Positioning Plate | 27 |
| 4362633 | XLINE-500-32 Nameplate | 32 |
| 4362442 | S200-200-42 End anchor | 42 |
| 4362443 | S200-200-43 End anchor pin | 43 |
| 4362646 | S200-500-46 Top hook assy | 46 |
| 4362647 | S200-500-47 safety latch assy | 47 |
| 4362661 | S200-500-60 Bottomhook assy | 60 |
| 4362462 | S200-200-62 Bottom Hook pin assembly | 62 |
| 4362664 | S200-500-64 Idler sheave assy | 64 |
| 4362471 | S200-200-71 Metal lock nut M10 | 71 |
| 4362472 | S200-200-72 Metal lock nut M8 | 72 |
| 4362473 | S200-200-73 Circlip 30 | 73 |
| 4362474 | S200-200-74 Circlip 10 | 74 |
| 4362475 | S200-200-75 Cross head screw M6x8 | 75 |
| 4362476 | S200-200-76 Split pin 2.5x25 | 76 |
| 4362478 | S200-200-78 Nameplate 2.5x6 | 78 |
| 4362479 | S200-200-79 Split pin 2.5 x25 | 79 |
| 4362480 | S200-200-80 Hexagon recess nut M12 | 80 |
| 4362686 | S200-500-86+48 Bolt and nut top hook pin | 86 |

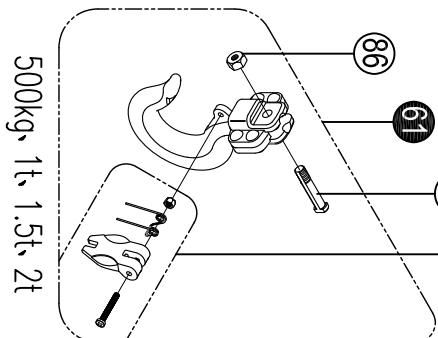
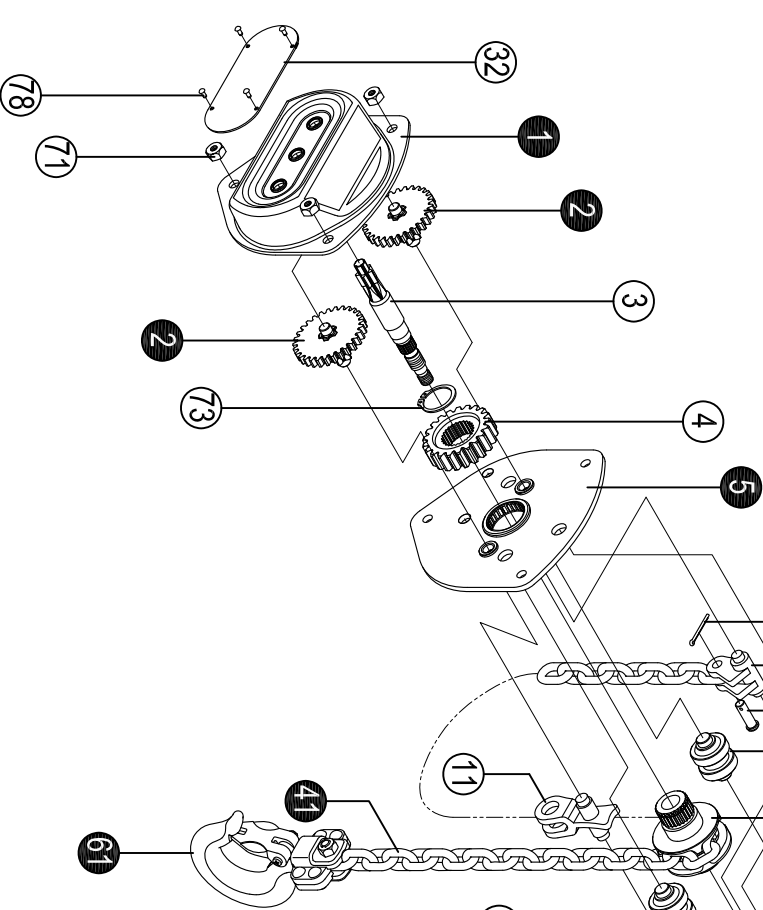
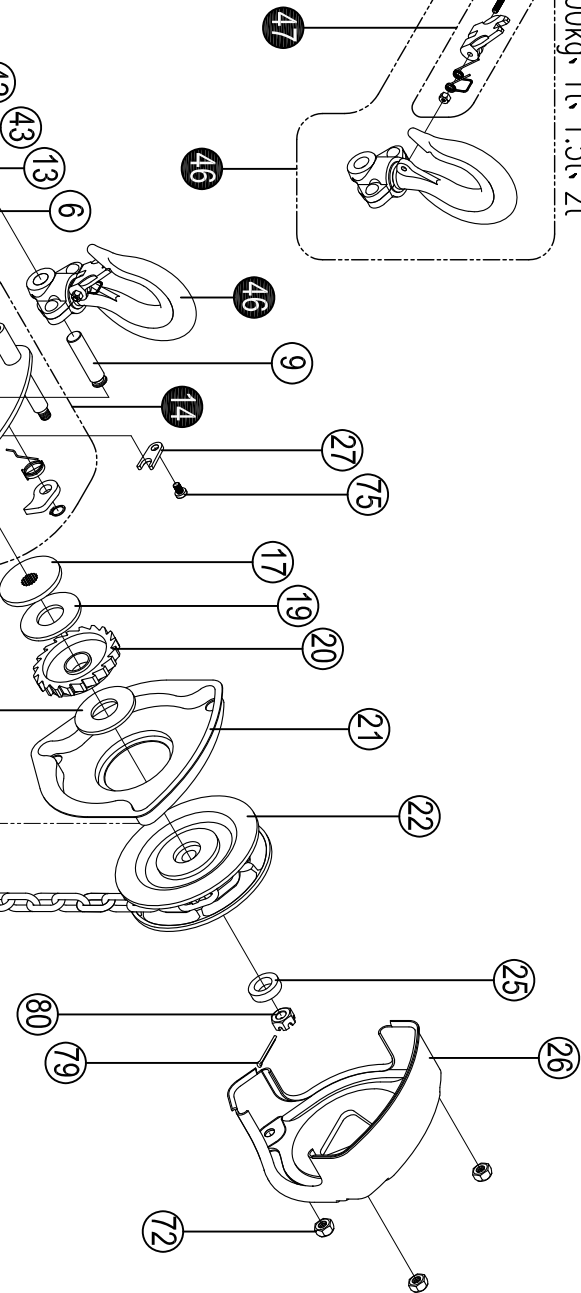
3t, 5t



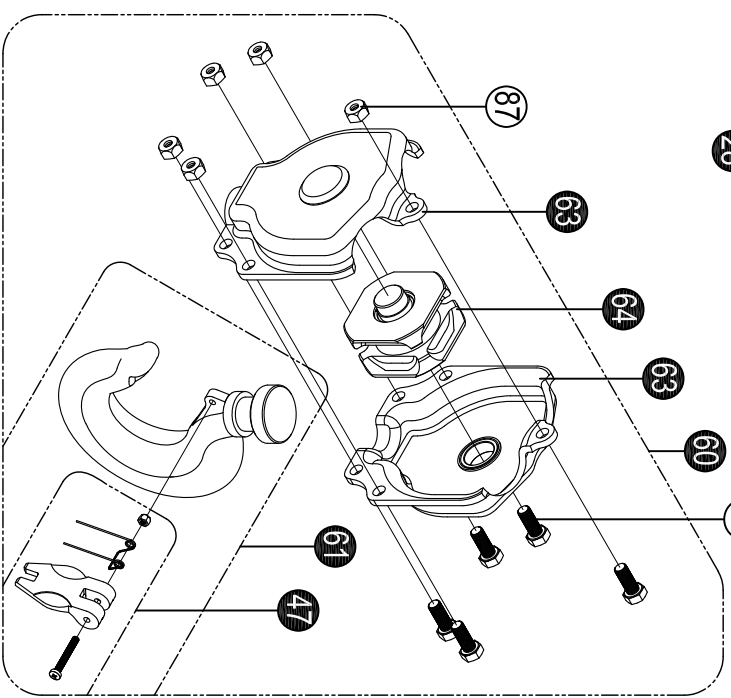
500kg, 1t, 1.5t, 2t



500kg, 1t, 1.5t, 2t, 3t, 5t CHAIN BLOCK



500kg, 1t, 1.5t, 2t



3t, 5t