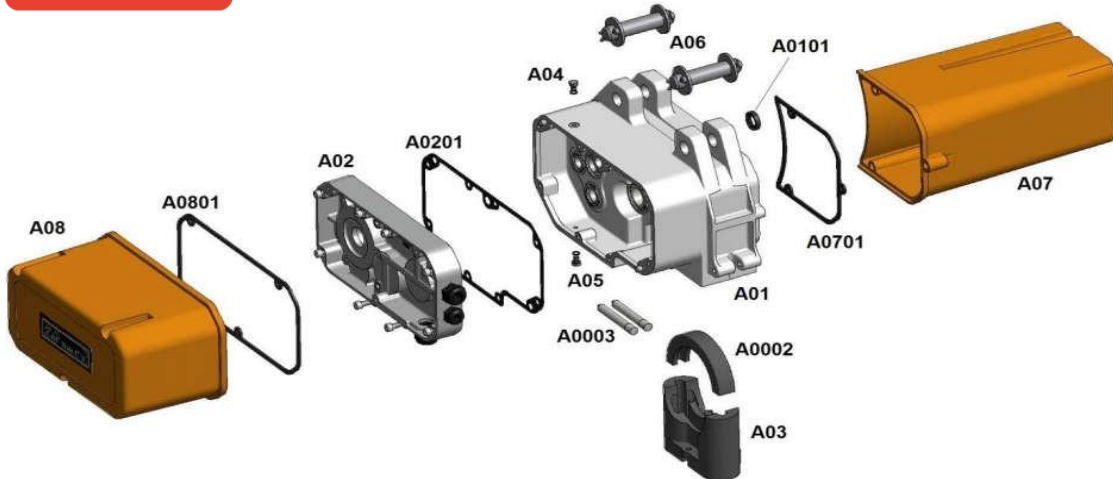
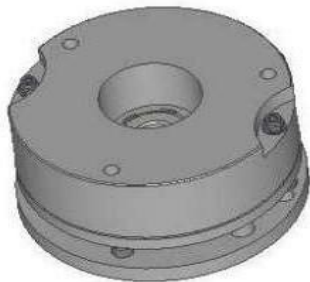




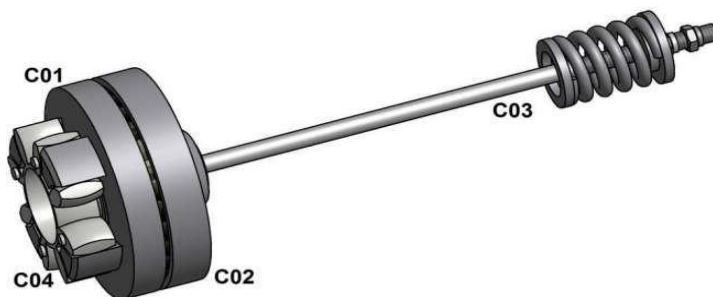
REMA SR 03../.



Part number	Discription	Rema article number
A01	REMA SR 03../. HOUSING	
A02	REMA SR 03../. GEAR COVER COMPLETE	
A0201	REMA SR 03../. GASKET SET	4512172
A0101	REMA SR 03../. DOWN PRESSURE PART 5.2 MM	4512124
A0002	REMA SR 03../. CHAIN GUIDE 5.2 MM COMPLETE EXCL. LIMIT SWITCH	4512126
A03	REMA SR 03../. CHAIN GUIDE 5.2 MM COMPLETE INCL. LIMIT SWITCH	4512123
A06	REMA SR 03../. BOLT SET (Ø12 mm x 70mm x 58 mm)	4512905
A07 + A0701	REMA SR 03../. COVER ELECTRIC CONTROL COMPLETE	4512151
A08 + A0801	REMA SR 03../. COVER GEARSIDE COMPLETE	4512111



Part number	Discription	Rema article number
	REMA SR 03../. BRAKE COMPLETE	4512201
	REMA SR 030/52 031/52 BRAKE COMPLETE	4512203



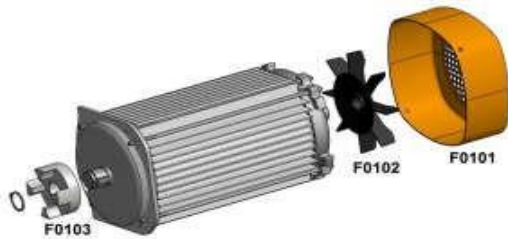
Part number	Discription	Rema article number
C01	REMA SR 03../. CLUTCH DRIVE DISC COMPLETE	4512224
C02	REMA SR 03../. CLUTCH DISC COMPLETE	4512225
C03	REMA SR 03../. ACCESSORY FOR CLUTCH	4512226
C03	REMA SR 030/52 031/52 ACCESSORY FOR CLUTCH	4512227
C04	REMA SR 03../. GEAR RIM	4512229



Part number	Description	Rema article number
D0101	REMA SR 03../ SPROCKET WHEEL 5.2 MM COMPLETE	4512473



Part number	Description	Rema article number
F0101	REMA SR 03../ RAS LOADCHAIN 5.2 MM x 15 MM	0420004



LIFTKET			
Type: 091/51	Fabrik-Nr./serial no.: 090144	Baujahr/fabr. year: 2016	
Getriebe/Reduzionsverhältnis: 1	2	1000/1000	IP 23/IK 08
Traglast/NL (kg): 2000	2000	1000/1000	300/150
Hub/steigend (m/min): 0,8/2,00	0,8/1,00	100/100	1:1/1:1
Motor/Leistung (kW): 0,27	0,27	0,27/0,27	230V AC
Wahlstrom/Leistungsfaktor: 2,0/0,85	2,0/0,85	2,0/0,85	230V AC
Prüf-Nr./cert. no. NO F313-124119380-04.1		DGUV V 54 (D8)	CE

NO.:
V9018-2
EW:

Part number	Description	Rema article number
F01	REMA SR 030/50-52-53 MOTOR (400v, 50Hz, 3ph 63G2)	4512407
F01	REMA SR 03../ MOTOR (400v, 50Hz, 3ph 63G8/2)	4512408
F01	REMA SR 03../ MOTOR (230v, 50Hz, 1ph 63G2)	4512448
F0101	REMA SR 03../ FAN COVER	4512409
F0102	REMA SR 03../ FAN IMPELLOR	4512341
F0103	REMA SR 03../ CLUTCH HUB	4512230



N01



N0101

Part number	Description	Rema article number
N01	REMA SR 03../ HOOK SUSPENSION	0806101
N0101	REMA SR 03../ SAFETY LATCH	4512901



M01



M02

Part number	Description	Rema article number
M01	REMA SR 03../ SUSPENSION EYE SINGLE HOLE MM 500 KG	0825103
M02	REMA SR 03../ SUSPENSION EYE DOUBLE HOLE 5,2x 15 MM 500 KG	0810301
M02	REMA SR 030/52 SUSPENSION EYE DOUBLE HOLE 5,2x 15 MM 1000 KG	0810303



P01



P0101



P0102

Part number	Discription	Rema article number
P01	REMA SR 03../.. LOAD HOOK SINGLE FALL 5,2x15 500 KG	0808103
P0101	REMA SR 03../.. RUBBER BUFFER SINGLE FALL LOAD HOOK 4 MM+5MM	4512938
P0102	REMA SR 03../.. SAFETY LATCH	4512897



O01



O0103



O0104

Part number	Discription	Rema article number
O01	REMA SR 03../.. LOAD HOOK DOUBLE FALL 5,2MM 1000KG	0809103
O0103	REMA SR 03../.. RUBBER BUFFER DOUBLE FALL LOAD HOOK 4 MM+5 MM	4512934
O0104	REMA SR 03../.. SAFETY LATCH	4512901



Q01

Part number	Discription	Rema article number
Q01	REMA SR 03../.. LIFT LIMITER COMPLETE 5,2 MM+BUFFER	4512002



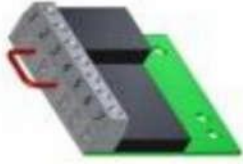
R01



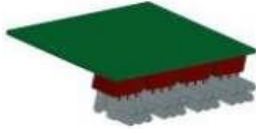
R02



Part number	Discription	Rema article number
R01	REMA SR 02../.. CHAIN BOX PLASTIC 5.2MM 8 MTR	4516100
R01	REMA SR 02../.. CHAIN BOX PLASTIC 5.2MM 10 MTR	4516101
R02	REMA SR 02../.. CHAIN BOX CANVAS 5.2MM 18 MTR	4516110
R02	REMA SR 02../.. CHAIN BOX CANVAS 5.2MM 25 MTR	4516111
R02	REMA SR 02../.. CHAIN BOX CANVAS 5.2MM 40 MTR (+ DISCHARGE)	4516112
R02	REMA SR 02../.. CHAIN BOX CANVAS 5.2MM 60 MTR (+DISCHARGE)	4516113



Part number	Discription	Rema article number
	REMA BRAKE RECTIFIER	4512712



Part number	Discription	Rema article number
	REMA SR ELECTRONIC STARTER SR 230 VOLT	4512102



Part number	Discription	Rema article number
	REMA SR 030/... CAPACITOR 230 V. 40 UF	4512181



Part number	Discription	Rema article number
	REMA SR XES-D-2201 CONTACTOR BLOCK 1 SPEED	4447019
	REMA SR XES-D-2241 CONTACTOR BLOCK 230V 1 SPEED	4447018



Part number	Discription	Rema article number
	REMA SR XES-D-1291 CONTACTOR BLOCK 2 SPEED	4447017



Part number	Discription	Rema article number
	REMA SR XAC-S-499 CONTACTOR BLOCK EMERGENCY STOP	4447056



Part number	Discription	Rema article number
1	REMA SR ZA2-BS-54 EMERGENCY BUTTON WIDE	4447136
2	REMA SR XAC-B-9111 RUBBER LOW WHITE	4447060
3	REMA SR XAC-B-9112 RUBBER LOW BLACK	4447057
4	REMA SR XAC-B-9211 RUBBER HIGH WHITE	4447059
5	REMA SR XAC-B-9212 RUBBER HIGH BLACK	4447058



1



2

Part number	Description	Rema article number
1	REMA SR ZB2BE101 24V 1 SPEED CONTACTOR BLOCK (NO)	4447128
2	REMA SR ZB2BE102 24V 1 SPEED CONTACTOR BLOCK (NC)	4447130



Part number	Description	Rema article number
	REMA SR ZB2BE201 24V 2 SPEED CONTACTOR BLOCK (NO)	4447131



Part number	Description	Rema article number
	REMA SR XEN-G-1191 24V 2 SPEED CONTACTOR BLOCK	4447132



1



2



3

Part number	Description	Rema article number
1	REMA SR ZA2-BS-54 EMERENGY BUTTON WIDE	4447136
2	REMA SR XAC-A-9411 24V PUSH BUTTON WITHE	4447142
3	REMA SR XAC-A-9412 24V PUSH BUTTON BLACK	4447140



1



2

Part number	Description	Rema article number
1	REMA SR 03../.. K1 CONTACTOR (TILL 02-2016)	4514110
2	REMA SR 03../.. K1 CONTACTOR K0-05D10 (FROM 03-2016)	4514117



1



2

Part number	Description	Rema article number
1	REMA SR 02../.. K2/K3 CONTACTOR (TILL 02-2016)	4514111
2	REMA SR 02../.. K2/K3 CONTACTOR K0W-05D10 MCW - K0-05D10 (FROM 03-2016)	4514116



1



2

Part number	Description	Rema article number
1	REMA SR 021../.. K4 MAGNEETSCHAKELAAR (TOT 02-2016)	4514112
2	REMA SR 021../.. K4 MAGNEETSCHAKELAAR K0-05D00-22 (VANAF 03-2016)	4514118



Part number	Description	Rema article number
	REMA SR 02../.. TRANSFORMER 230-400V/24V	4514120