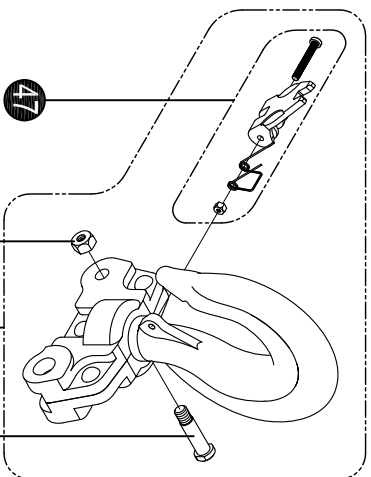
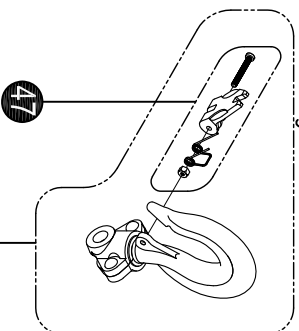


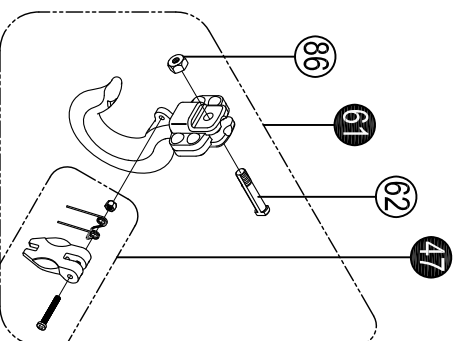
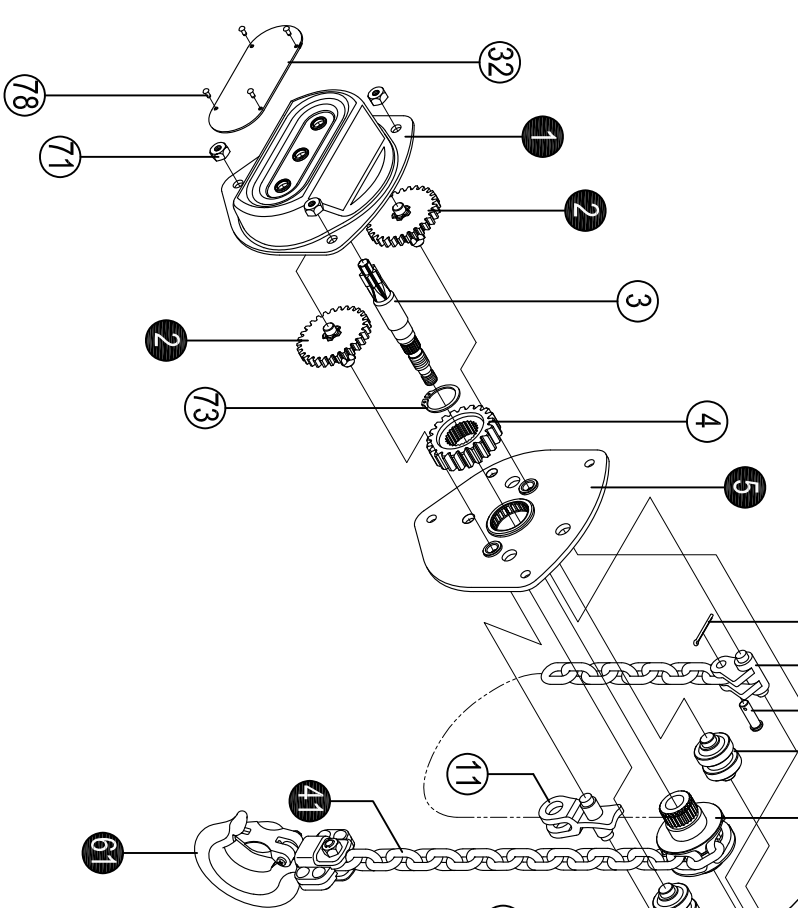
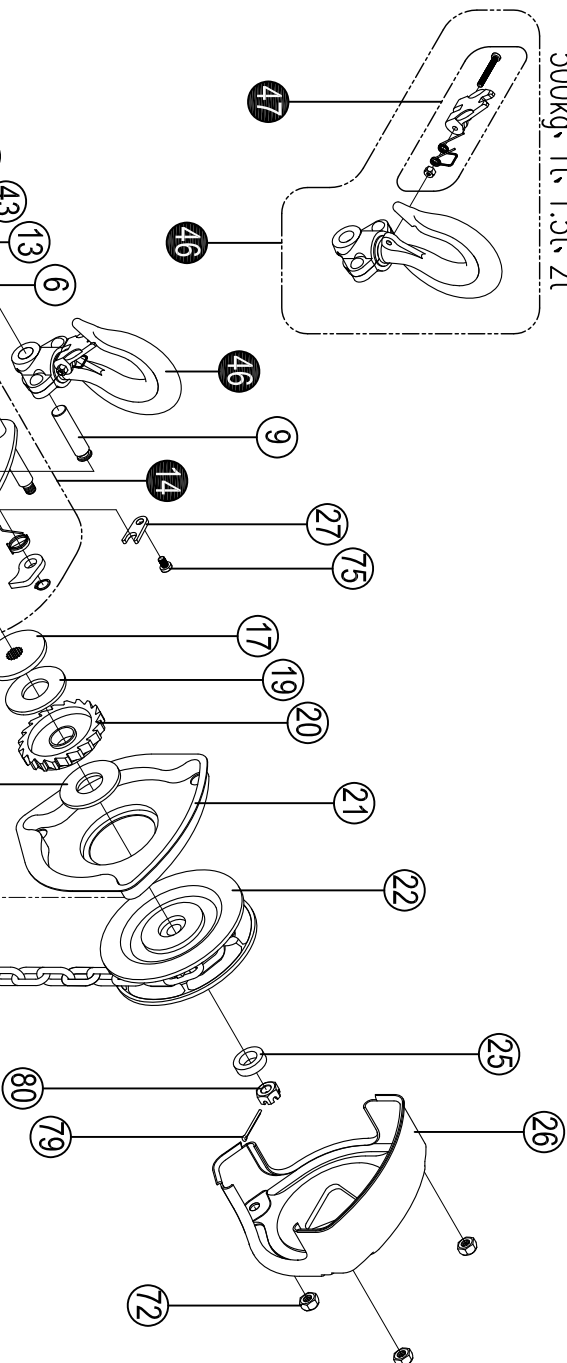
3t, 5t



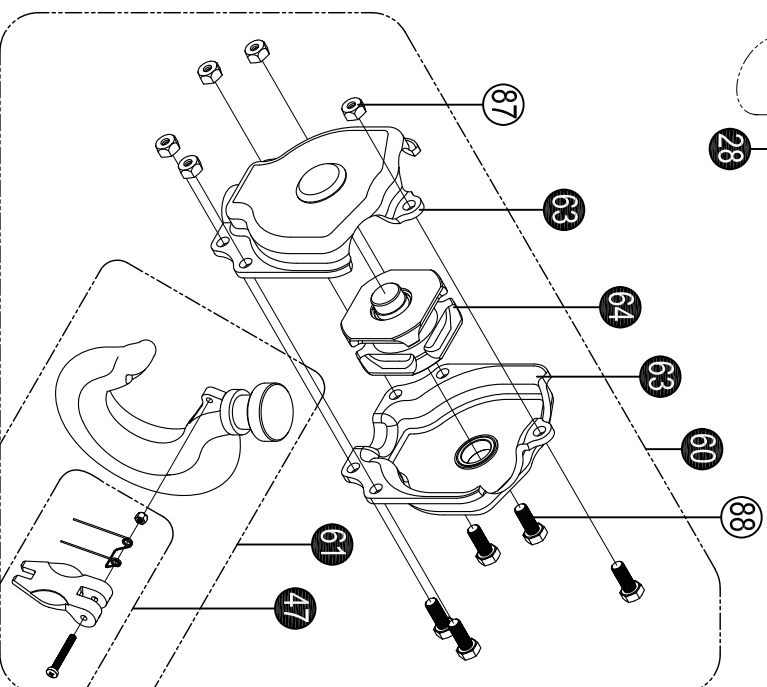
500kg, 1t, 1.5t, 2t



500kg, 1t, 1.5t, 2t, 3t, 5t CHAIN BLOCK



500kg, 1t, 1.5t, 2t



3t, 5t



Work made easy.

HOISTING & LIFTING

Prod.Id.	Description	Pos
4362401	S200-200-1 Gear cover assy	1
4362402	S200-200-2 Disc gear assy	2
4362403	S200-200-3 Drive shaft	3
4362404	S200-200-4 Splined gear	4
4362405	S200-200-5 Right side plate assy	5
4362406	S200-200-6 Load chain sprocket	6
4362409	S200-200-9 Top hook shaft	9
4362411	S200-200-11 Chain stripper	11
4362413	S200-200-13 Guide roller	13
4362414	S200-200-14 Left side plate assy	14
4362415	S200-200-15 Pawl spring	15
4362416	S200-200-16 Pawl	16
4362417	S200-200-17 Brake seat	17
4362419	S200-200-19 Friction plate	19
4362420	S200-200-20 Ratchet wheel	20
4362421	S200-200-21 Brake cover	21
4362422	S200-200-22 Hand chain wheel	22
4362425	S200-200-25 washer	25
4362426	S200-200-26 Hand chain cover	26
4362427	S200-200-27 Positioning Plate	27
4362432	S200-200-32 Nameplate	32
4362442	S200-200-42 End anchor	42
4362443	S200-200-43 End anchor pin	43
4362446	S200-200-46 Top hook assy	46
4362447	S200-200-47 Safety latch assy	47
4362461	S200-200-61 Bottom hook assy	61
4362462	S200-200-62 Bottom Hook pin assy	62
4362471	S200-200-71 Metal lock nut M10	71
4362472	S200-200-72 Metal lock nut M8	72
4362473	S200-200-73 Circlip 30	73
4362474	S200-200-74 Circlip 10	74
4362475	S200-200-75 Cross head screw M6x8	75
4362476	S200-200-76 Split pin 2.5x25	76
4362478	S200-200-78 Nameplate 2.5x6	78
4362479	S200-200-79 Split pin 2.5 x25	79
4362480	S200-200-80 Hexagon recess nut M12	80